

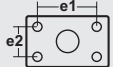


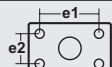

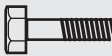








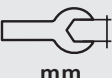
RINGFEDER® Trailer coupling
RF50 B AUS MSD



EN The couplings in this instruction are certified according to UNECE R55. They are exclusively intended to be used together with drawbar eyes according to standard DIN 74054 or ISO 8755 regarding Ø40mm coupling bolt and DIN 74053 or ISO 1102 regarding Ø50mm coupling bolt respectively. Other areas of use than interconnection of vehicles according to UNECE R55 or ISO 18868 require a consent from the manufacturer. When replacing a used coupling, all the parts included in the new coupling delivery shall be replaced. The installation shall be done by a professional and in accordance with this instruction as well as with the requirements in appendix 7 in UNECE R55.

 50 mm	 UNECE 55 R	D (kN)	Dc (kN)	S (kN)	V (kN)	 e1 x e2 (mm)
RF50 B AUS MSD	C50-X E11 55 R-01-10486	320	135/135/170	1000/2000/1000	75/63/60	160 x 100

 e1 x e2 (mm)	 Ø d2 (mm)	 M20 (≥ 8.8)	 ISO 7089 ≥ 200 HV	 ISO 7042 ≥ 8	 Nm (±5%) 390	 mm 30
160 x 100	21	M20 (≥ 8.8)	≥ 200 HV	≥ 8	390	30

 M 45 x 3	 Nm 1500-2000	 mm 70
M 45 x 3	1500-2000	70



Installation



Function check



Pinch point!



Open/unlocked



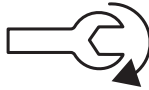
Closed/locked



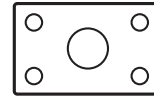
Visual check



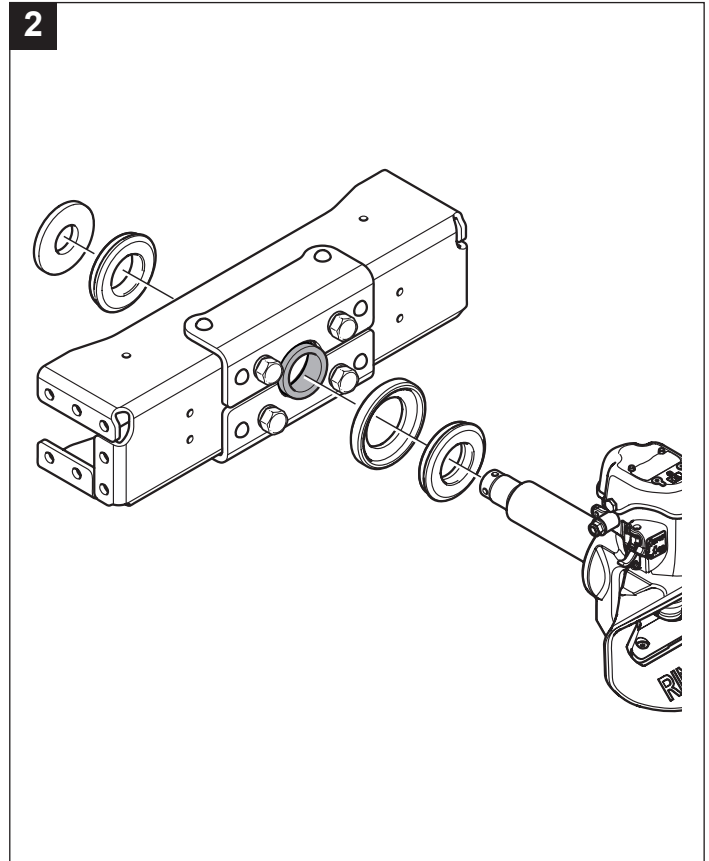
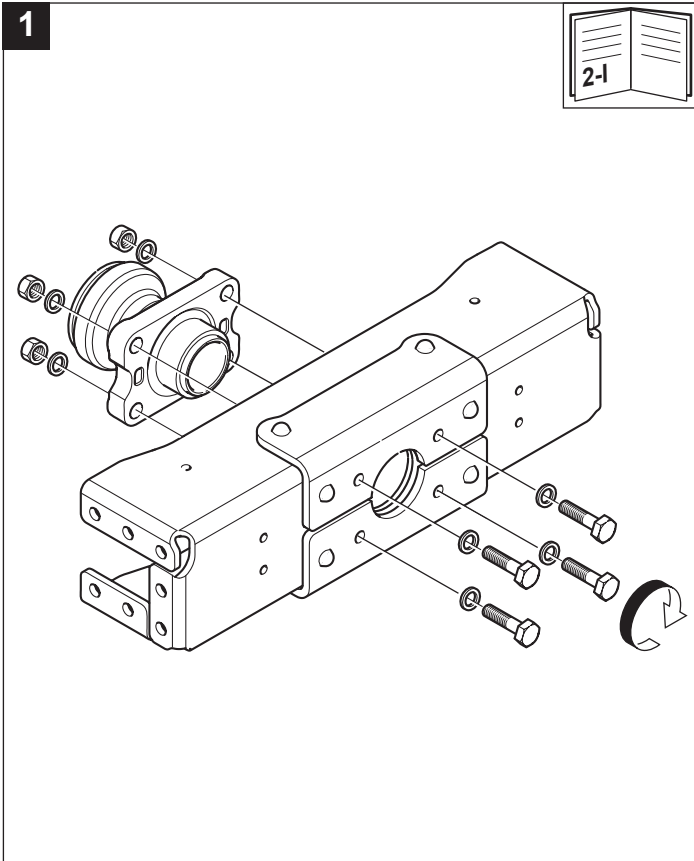
Wrench size

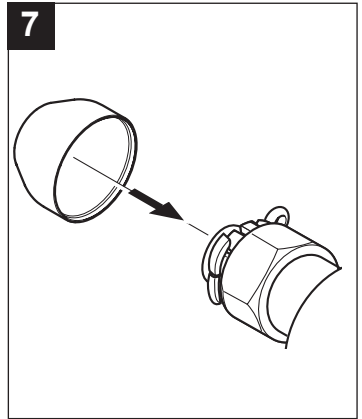
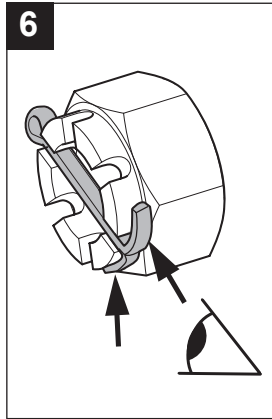
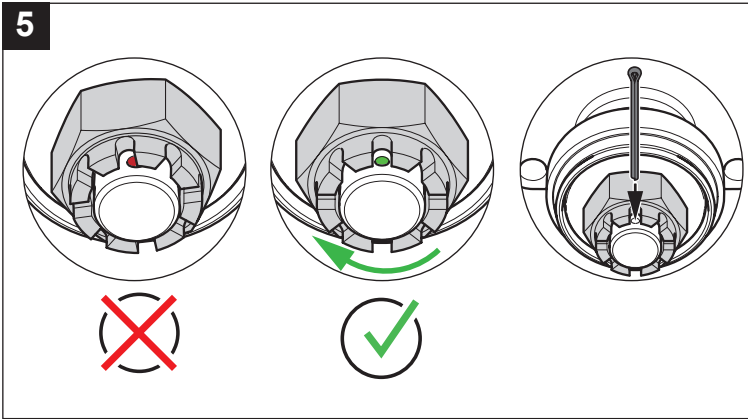
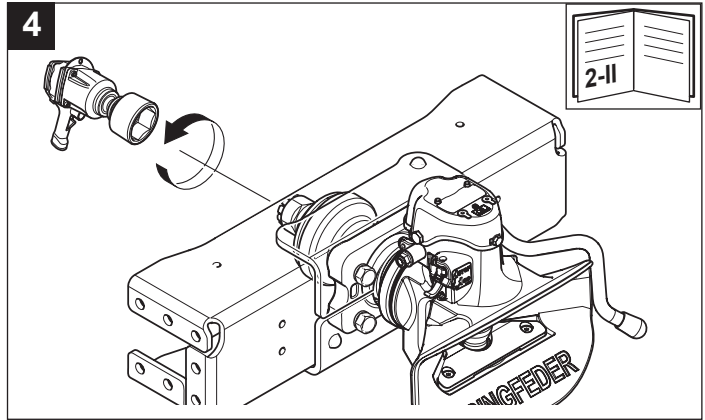
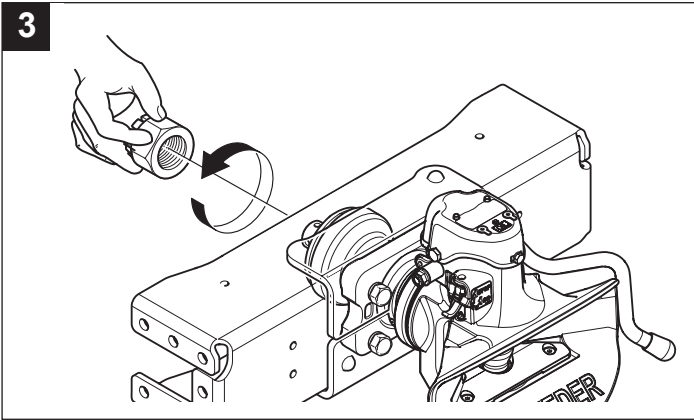


Tightening torque



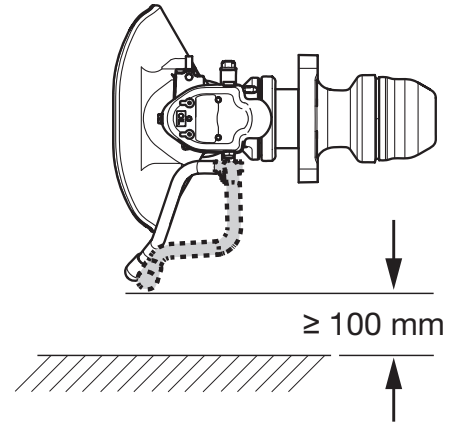
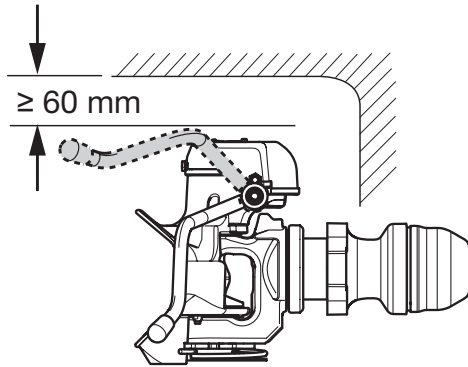
Hole pattern





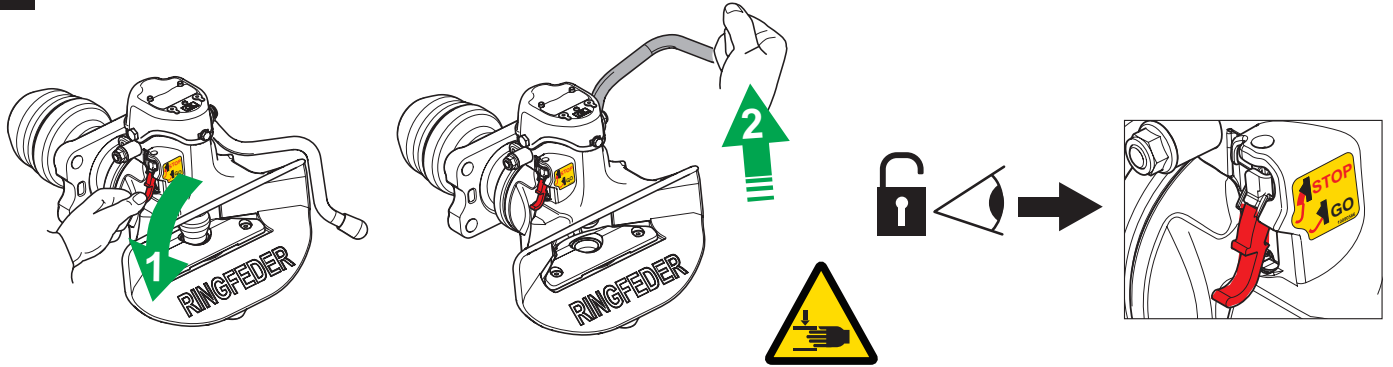


8

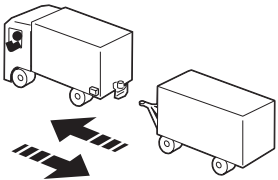




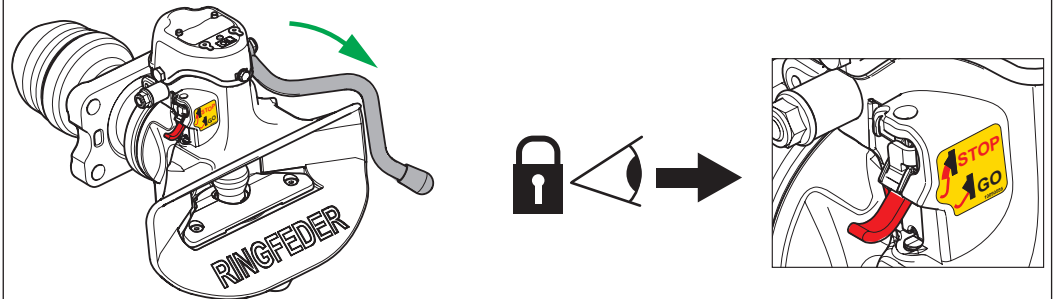
1



2



3





Produced in a certified company

VBG GROUP TRUCK EQUIPMENT GMBH · Girmesgath 5 · D-47803 Krefeld
www.ringfeder-rf.com

Member of VBG Group